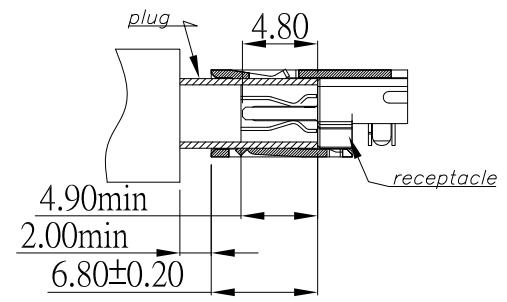
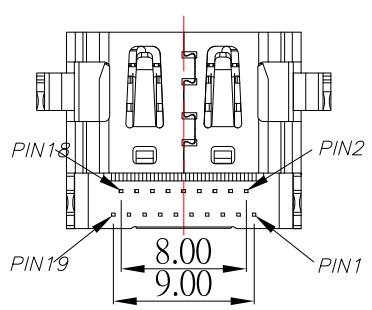


RECOMMENDED PCB LAYOUT

NOTE:

- 1.MATERIAL:
 - 1.1 HOUSING: LCP, Black
 - 1.2 CONTACT: BRASS
 - 1.3 SHELL: SPCC
- 2.PLATING :
 - 2.1 CONTACT: PLATED GOLD IN MATING AREA ;
TIN PLATED ON SOLDER BALLS ;
NICKEL UNDER PLATED OVERALL
 - 2.2 SHELL: NICKEL OR GOLD UNDER PLATED SURFACE LAYER
- 3.ELECTRICAL:
 - 3.1 RATING : 0.5A ,40V
 - 3.2 CONTACT RESISTANCE: 30 mΩ Max
 - 3.3 INSULATION RESISTANCE: 100MΩ Min
 - 3.4 WITHSTANDING VOLTAGE: 500V AC



Mated Condition

東莞市高迪電子有限公司
DONG GUAN GAO DI ELECTRONICS CO., LTD

TOLERANCE UNLESS OTHERWISE STATED :
Up to 5 ±0.2
Above 5 ~ 15 ±0.3
Above 15 ~ 30 ±0.4
Above 30 ~ 50 ±0.5
Angle ±0.3

3RD. ANGEL'S

UNITS MM

DRAWN BY:	DATE	MAT'L	TITLE	CONNECTOR
Jack Lu	07/26/22			
CHECKED BY:	DATE	FINISH	MODLE	HDMI AF沉板式 板上3.43
Jacky Chen	07/26/22			
APPROVED BY:	DATE	SCALE	DWG NO.	HDMI-19-M1NI-S297
Tony Kao	07/26/22	1 : 1	PART NO.	HDMI-19-M1NI-S297
		SHEET NO.	1 of 1	
				SIZE A4
				VER R

ITEM NO.	DESCRIPTION	DRAWN	DATE